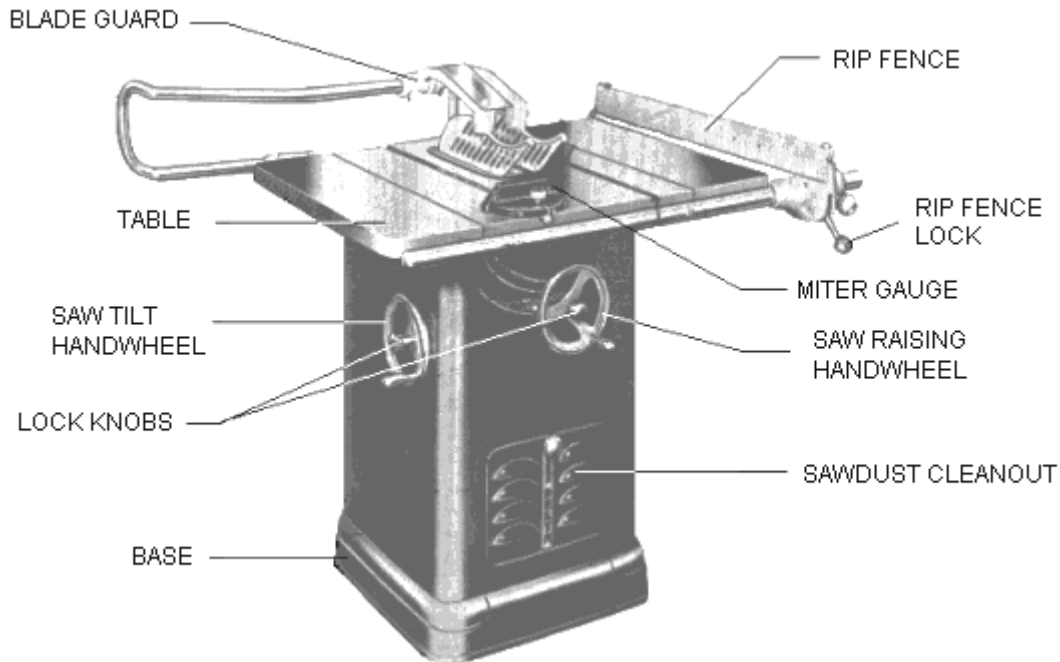




**WOODWORKING**  
***INSTRUCTION AID SHEET***  
for  
**THE TABLE SAW**



\*\*\*\*\*



**Description:** The Table Saw is a large, powerful, stationary saw that is capable of cutting wood with extreme accuracy. The saw blade protrudes through the top surface or table of the saw through which stock must be pushed. The table saw is central to most cabinet and woodworking shops.

**Operation:** The saw blade may be raised or lowered and angled to the table for a variety of cuts. For ripping boards to width the fence is used. For crosscutting boards to length the mitre guage is used. The table saw can be fitted with a number of different blades and cutters further increasing the variety of cuts that can be made.

***Things To Remember Before Ripping:***

- adjust the fence to the desired measurement;
- be sure the fence lock is secured;
- have the push stick in 'ready position' on the top of the fence;
- make sure the blade is 90° to the table.

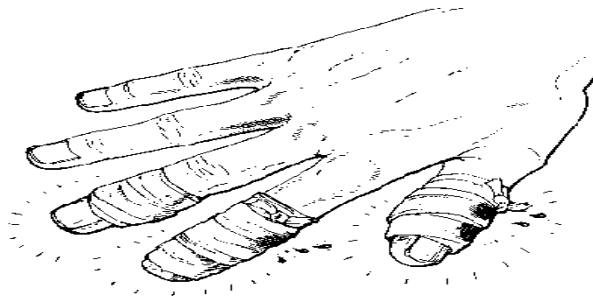
# WOODWORKING

## **SAFETY CONTRACT** for **THE TABLE SAW**



\*\*\*\*\*

1. The guard, kick-back pawls and splitter block **must** be securely fastened and correctly adjusted for the stock you are cutting.
2. Never let your hands come closer than 150 mm (6") to the saw blade.
3. When **rip-sawing**, stock must always be tight against the fence.
4. **DO NOT** rip stock shorter than 500 mm (16") in length.
5. Stand to the left side of the blade while **rip-sawing**, never directly behind it.
6. A **push stick** must be used when rip-sawing.
7. When **rip-sawing**, make sure the edge of the piece placed against the rip-saw fence has been jointed straight; this will **give you a straighter cut** and the straight edge will **prevent the blade binding on the wood with less chance of kickback**.
8. When **cross-cutting**, always use the mitre guage.
9. When **cross-cutting**, **DO NOT** place the end of the piece against the rip-saw fence (using the fence as a guide).
10. **NEVER** attempt a freehand cut.
11. **DO NOT** clean, make machine adjustments or adjust the saw blade while the blade is in motion.



**Look** at your fingers;

**Count** them;

**If** you can **see** them and can **still count to ten**, then you can appreciate the benefits of safety in the wood shop.

DATE OF LESSON \_\_\_\_\_

I was present for the instruction on the safe use of the **Table Saw** and I understand its meaning and will operate that machine in the safe method described.

STUDENT'S SIGNATURE \_\_\_\_\_

TEACHER'S SIGNATURE \_\_\_\_\_