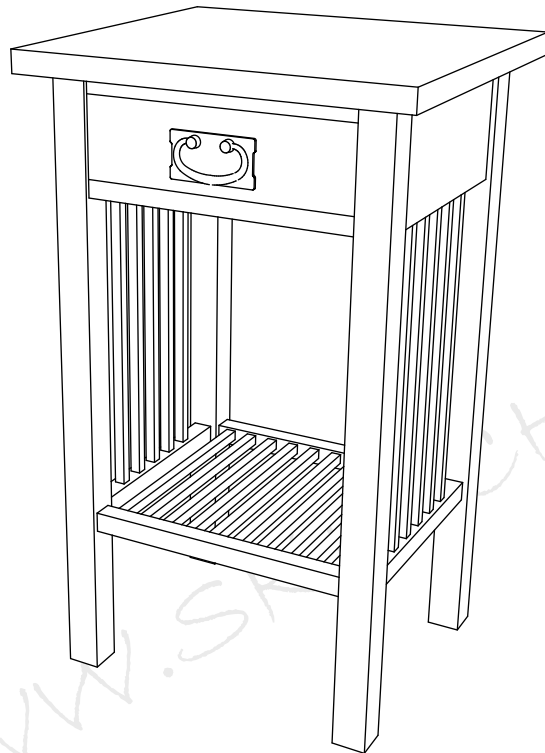
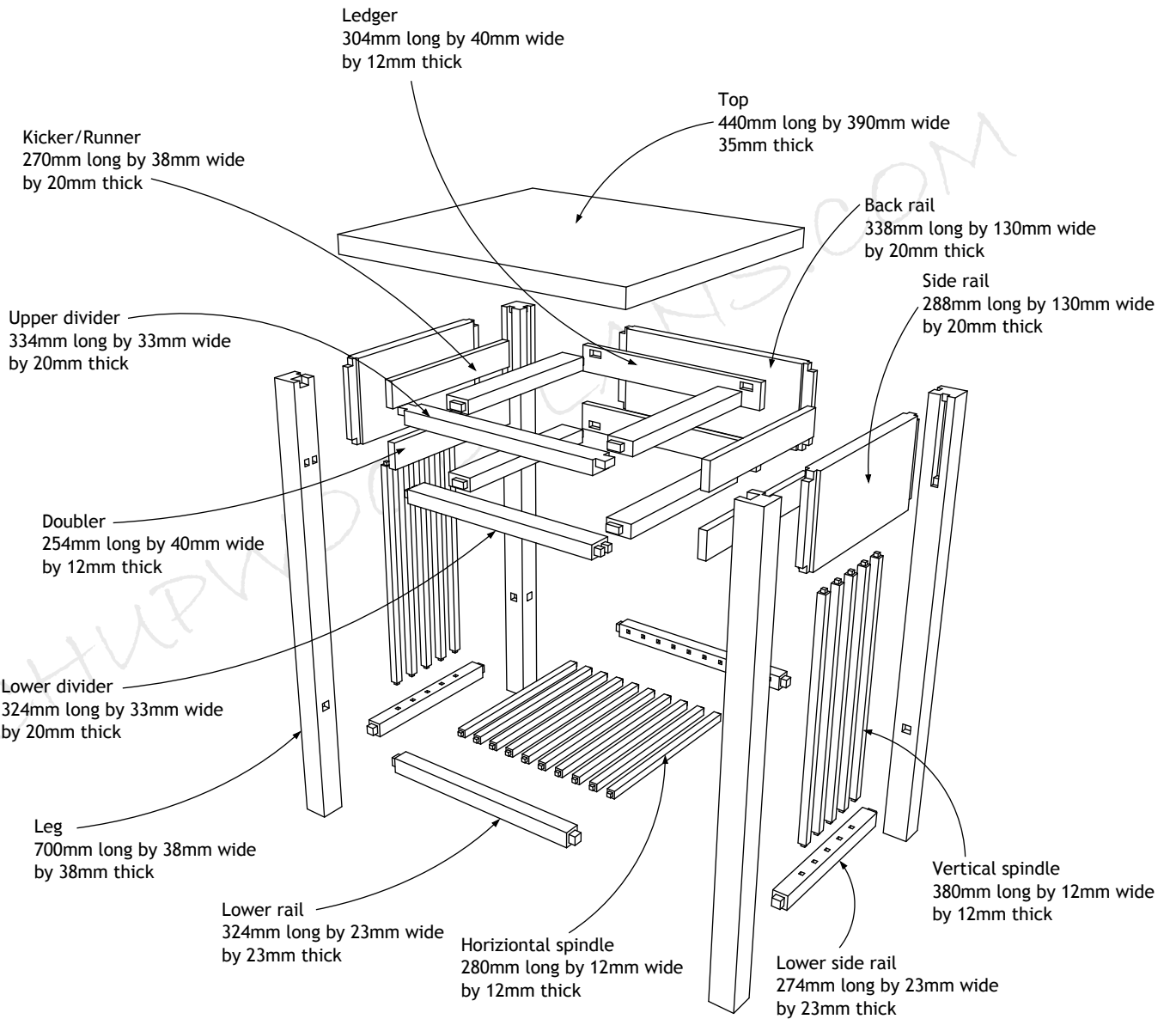
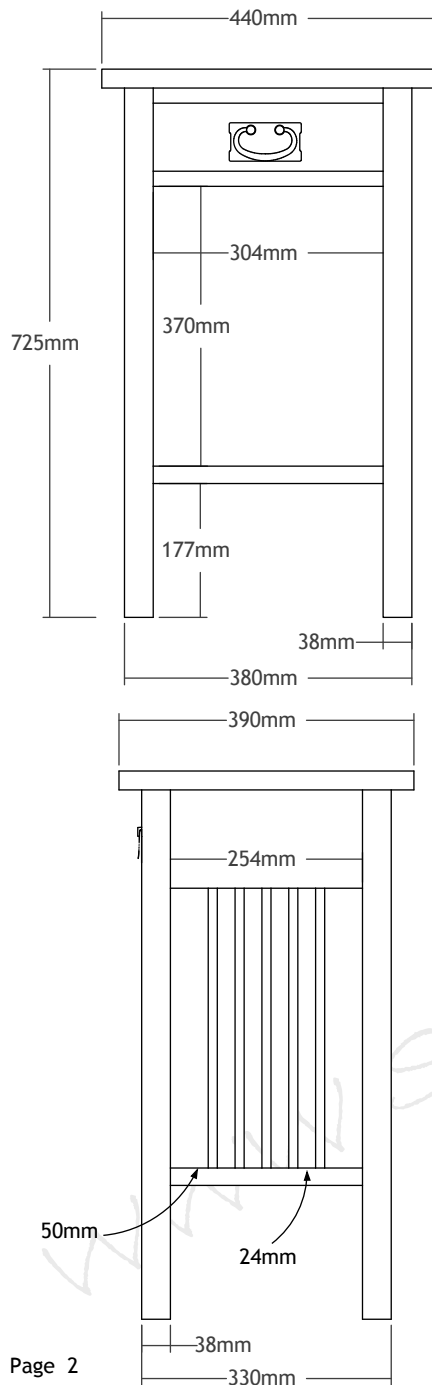


Complete plan of a Mission style coffee table

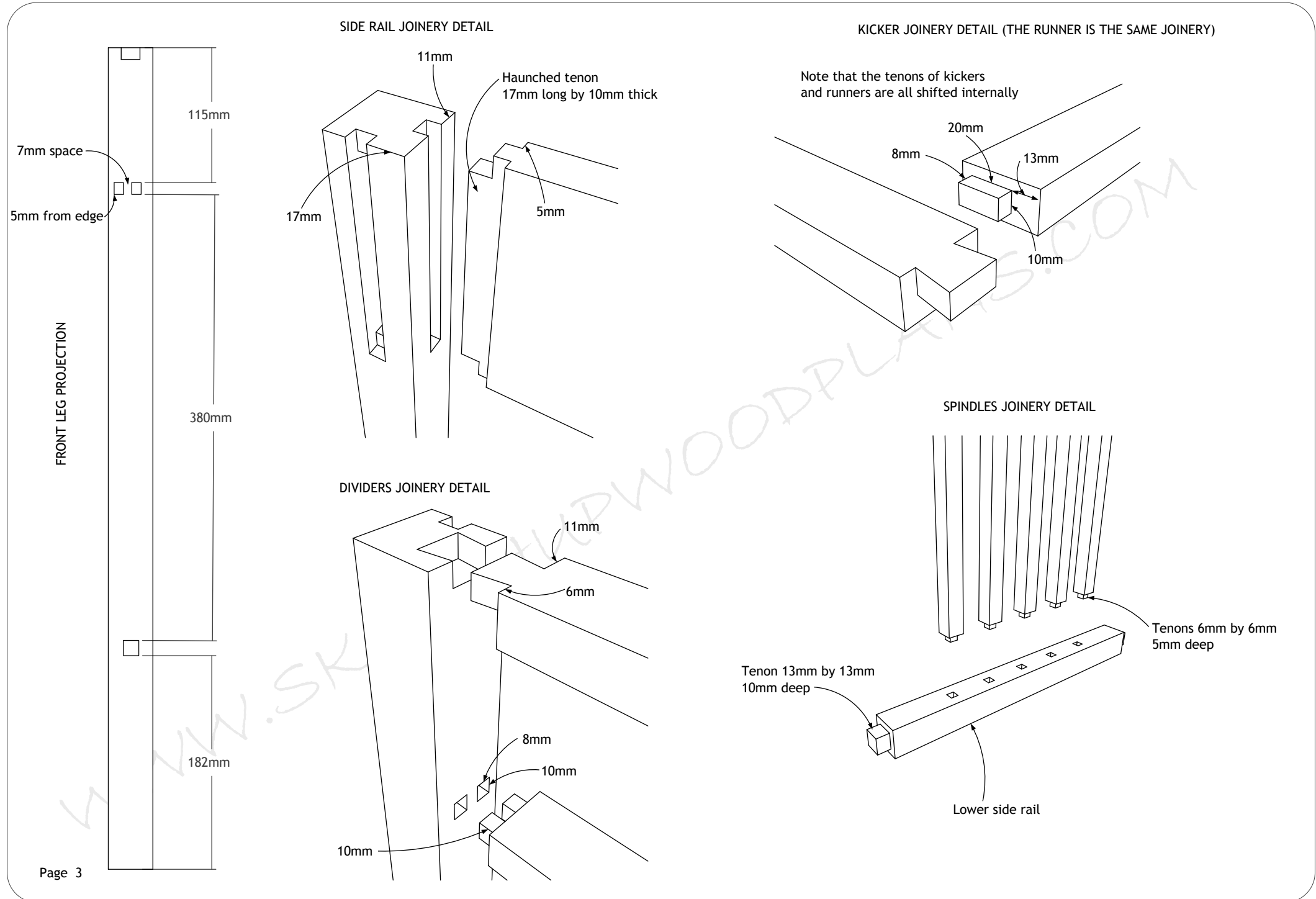


Cutlist

Description	Qty	Length	Width	Thickness
Carcase				
Top	1	440mm	390mm	25mm
Leg	4	700mm	38mm	38mm
Side rail	2	288mm	130mm	20mm
Back rail	1	338mm	130mm	20mm
Upper divider	1	334mm	33mm	20mm
Lower divider	1	324mm	33mm	20mm
Doubler	4	254mm	40mm	12mm
Ledger	2	304mm	40mm	12mm
Kicker/Runner	4	270mm	38mm	20mm
Lower rail	2	324mm	23mm	23mm
Lower side rail	2	324mm	33mm	20mm
Spindle horizontal	10	280mm	12mm	12mm
Spindle vertical	10	380mm	12mm	12mm
Drawer				
Drawer back	1	304mm	90mm	19mm
Drawer bottom	1	276mm	256mm	8mm
Drawer side	2	284mm	90mm	19mm
Drawer front	1	304mm	90mm	22mm



FOR MORE DETAILED INFO REFER TO THE ATTACHED SKETCHUP FILE



DRAWER EXPLODED VIEW

