



**Engine
Hoist
|Assembly**



Table Of Contents

Section Title

Page Number

OVERVIEW.....	3
PREPARATION	3
ORGANIZING THE PARTS.....	3
SCHEMATIC DIAGRAM OF PARTS.....	3
ASSEMBLY.....	4
THE BASE.....	4
MAIN SUPPORT.....	5
BOOM ASSEMBLY.....	5
RAM OPERATION.....	6
EXTENDING THE RAM.....	6
RETRACTING THE RAM.....	6
FINAL INSPECTION	7
LIFTING THE ENGINE.....	7

OVERVIEW

- By following the steps in this activity you will assemble the engine hoist used for lifting car engines.



PREPARATION

- Ask the instructor where the parts for the engine hoist are stored.
Get the parts out and organize them neatly on the floor.

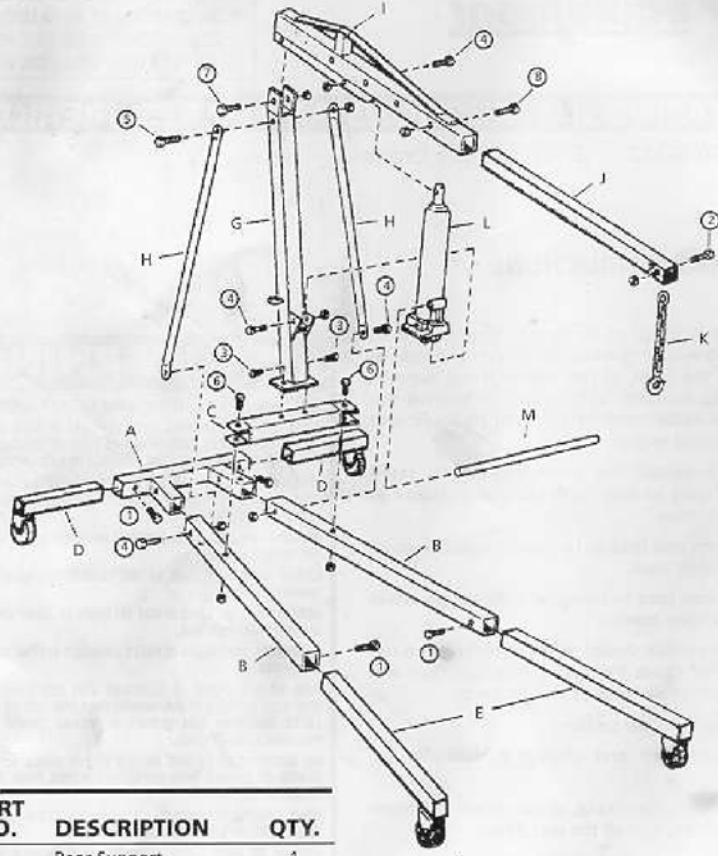
ORGANIZING THE PARTS

- The next step shows a schematic view of the engine hoist with all parts labeled.
Use the diagram to check that you have all the parts of the engine hoist.

SCHEMATIC DIAGRAM OF PARTS

PARTS BREAKDOWN — 520-6002

2 Ton Mobile Crane



ITEM NO.	PART NO.	DESCRIPTION	QTY.
A		Rear Support	1
B		Front Legs	2
C		Main Post Support	1
**D		Rear Leg Ext. W/ Casters	2
	5206002-D	3-1/2" Caster	
**E		Front Leg Ext. W/ Casters	2
	5206002-E	3" Caster	
G		Main Post	1
H		Support Brackets	2
I		Boom	1
J		Boom Ext.	1
**K	5206002-K	Hook w/ Chain	1
**L	5206002-L	8 Ton Long Ram	1
M		Handle	1

ITEM NO.	PART NO.	DESCRIPTION	QTY.
*1		1-1/4" x 1/2" Bolt	4
*2		3" x 1/2" Bolt	1
*3		4-1/4" x 1/2" Bolt	2
*4		4" x 5/8" Bolt	4
*5		4-3/4" x 5/8" Bolt	1
*6		4-3/4" x 1/2" Bolt	2
*7		4-3/4" x 3/4" Bolt	1
*8		3-1/2" x 5/8" Bolt	11

* These parts are available only in bolt kit #5206002-15
 ** These items may be purchased beyond the 180 day warranty

ASSEMBLY

THE BASE

- ▣ Assemble the front legs to the rear support.
Assemble the rear legs to the rear support.



MAIN SUPPORT

- ▣ Assemble the main support onto the front legs.
Install the two support brackets.



BOOM ASSEMBLY

- ❑ Install the Boom and the Ram.



- ❑ Install the boom extension



RAM OPERATION

EXTENDING THE RAM

Pumping up and down will extend the ram cylinder.



RETRACTING THE RAM

- Unscrewing the valve will release the pressure and retract the ram.



- Lower the Ram so it is as short as possible.

FINAL INSPECTION

- Double check that all the bolts and nuts are tight.

Ask the instructor to check the engine hoist for proper assembly.



Stop here until the instructor has checked your work.

*Instructor's
Initial*

LIFTING THE ENGINE

CAUTION !!

Do not attempt to lift the engine until the instructor has checked your setup.



Mount a heavy chain onto the lifting points of the engine. Be sure to use bolts, washers and nuts to secure the chain.



Mount the chain on the hook of the engine hoist. Be sure to use a bolt, washer and nut to secure it.



Stop here until the instructor has checked your work.

***Instructor's
Initial***

[PDF to Word](#)