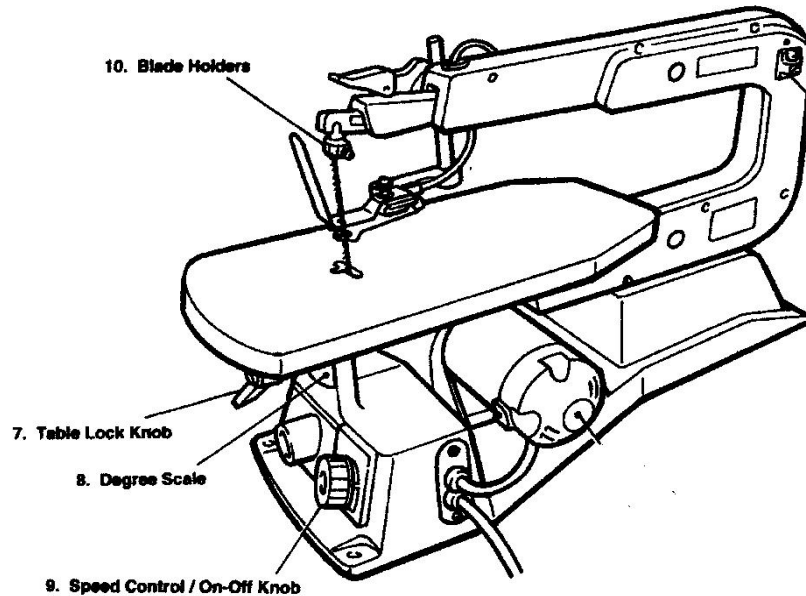


Getting To Know Your Scroll Saw



Safety Rules

- Keep your hands out of the path of the blade
- Keep hands 3cm away from the blade
- Hold material firmly against the table
- Make sure the saw is off and the blade is stopped when removing small pieces
- If the blade breaks turn off machine and keep hands clear

Operations

To safely operate the scroll saw:

- Trace/draw your pattern onto your material
- Keep hands on either side of the blade at least 5 cm away from the blade and guide your material through the blade
- Feed at an even rate of speed allowing the blade to cut the material
- Cut just outside your line so you have something to sand to

Secure the machine to a supporting surface (e.g. floor) as vibration can cause the machine to slide, walk or tip over.

- Never start the machine until all handles are locked and the blade is at the correct tension. A scroll saw

equipped with automatic tension control is ideal.

- Verify the location of the off switch and/or emergency power disconnect.
- Wear safety glasses and hearing protection at all times.
- Do not wear gloves while operating the scroll saw.
- Do not wear loose long sleeves, ties, dangling jewelry or any other loose fitting clothing while operating a scroll saw.
- Ensure that long hair is tied back and secured from falling into the path of the saw blade.
- Wear non-slip footwear or ensure that taped or painted non-slip surface is in place.
- Ensure the dust collection system is connected, and operational.
- Keep the floor clean around the machine.
- Ensure that a taped or painted safety zone of at least 1 metre is in place around the scroll saw.
- Inspect the saw blade and replace dull, cracked, excessively worn blades or blades with broken cutting teeth.

While Operating the Scroll Saw:

- After starting the scroll saw, wait until the motor is at full speed before beginning any cut.
- Never reach under the table while the machine is running. The moving blade under the table can cause injury.
- Always use the hold down device by lowering and adjusting the adjusting the hold down foot so that it presses lightly on the material for each new operation.
- Keep hands a distance of at least 8 cm from an operational saw blade. You can't cut your fingers if you don't touch the blade.
- Never place hands or fingers directly in line with the blade.
- Support long or wide material to reduce blade breaking and pinching.
- Hold the material firmly against the table.
- Do not cut material that is too small to be safely supported and held onto.
- Do not cut material that does not have a flat bottom that can rest on the table.
- Make relief cuts before cutting long curves. Never attempt to cut a curve that is too tight.
- Never back a bound blade out of a cut with the machine on; turn it off, disconnect the power source, wedge the cut and remove the blade.
- Use a "V" block to cut cylindrical material to prevent "roll" and biting of the blade.
- Use caution when cutting irregular material to avoid pinching of the blade before completing the cut.

Safe Work Procedure - Scroll Saw Operation:

- Always feed the stock with light pressure and avoid excessive twisting of the blade. If you push too hard or twist too much, you will hear the saw slow down. This is your cue to lighten up. Too much pressure or twisting can break the blade. Use even less pressure as you near the end of a cut because the blade will come out the last millimeter or so.
- Stay with the machine until the blade stops moving. Do not attempt to stop a scroll saw by thrusting stock against the cutting edge or the side of a blade. Recognize that a blade is sharp enough to cut even when it is not in motion.
- If the blade breaks, turn off the machine and advise the teacher.
- Do not stand beside the scroll saw while someone is using it. If the blade breaks, it might flip out in that direction.

- Always stand firmly on the floor and avoid any awkward operations so you don't slip or lose balance.
- Do not carry on a conversation while cutting. Stay focused on the task.
- If it is necessary to remove dust or scraps from the table, stop the machine first and do so when the saw has stopped.
- Material must be flat on the table. Do not attempt to "free-hand" cut the stock in mid-air.
- All adjustments on the machine must be done when the saw has stopped and unplugged.
- Do not lay tools on the scroll saw table surface.
- De-energize and lock-out all energy systems before making adjustments/repairs. Disconnect the power cord or turn off power to the room and secure the electrical panel with a lock.
- Never leave a scroll saw running unattended. Turn off the power and make sure the machine has stopped running before leaving the area.