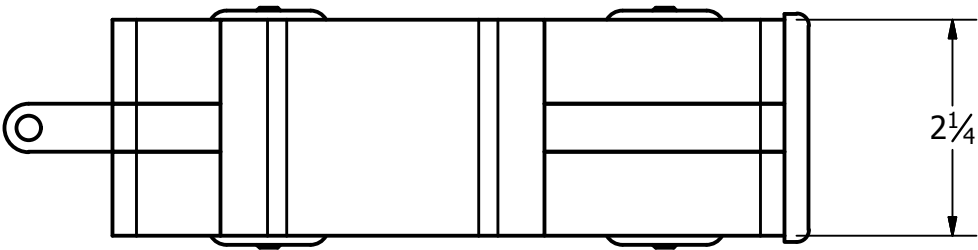


2

1

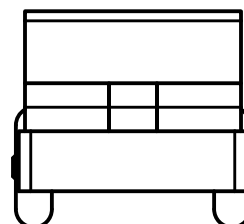
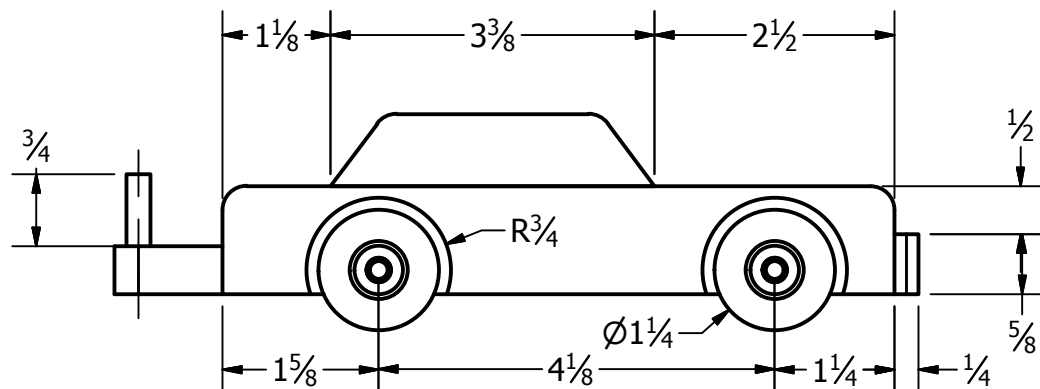
B



B

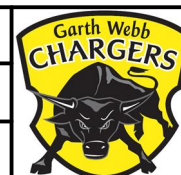
PRODUCED BY AN AUTODESK EDUCATIONAL PRODUCT

A



A

GARTH WEBB S.S.	
PROJECT:	TOY CAR
TITLE:	ASSEMBLY
SCALE:	DRAWN BY:
$\frac{1}{2}$	P. WHITE
DATE:	DWG NO
20130327	1 OF 5



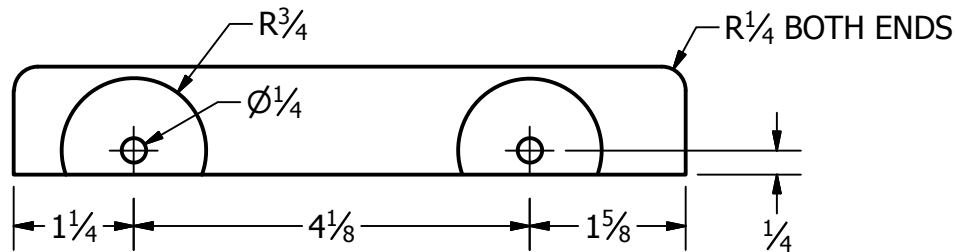
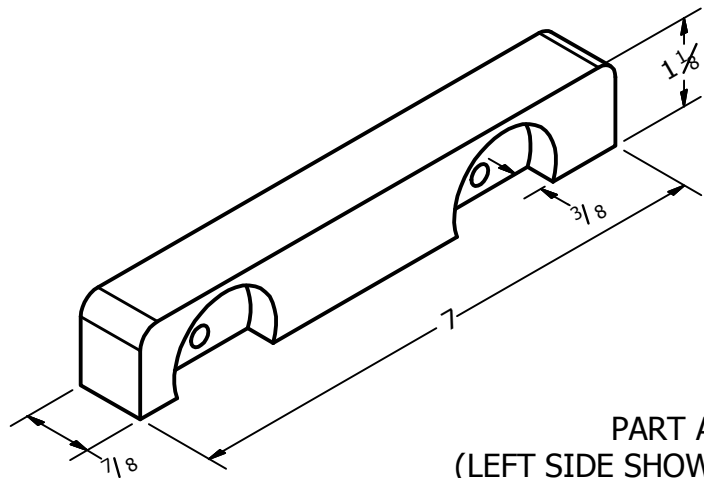
2

1

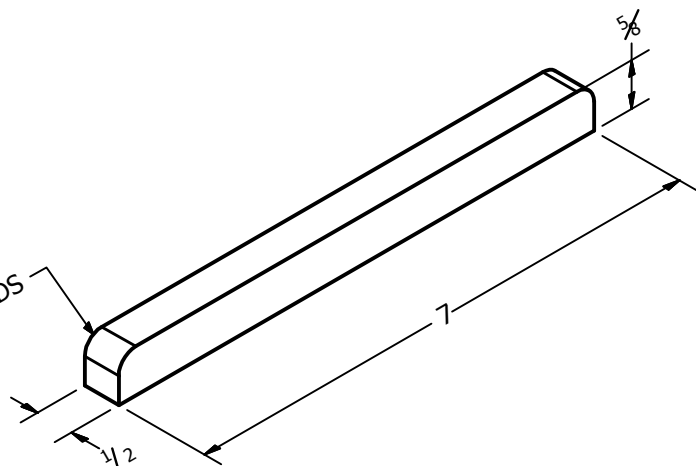
A

2

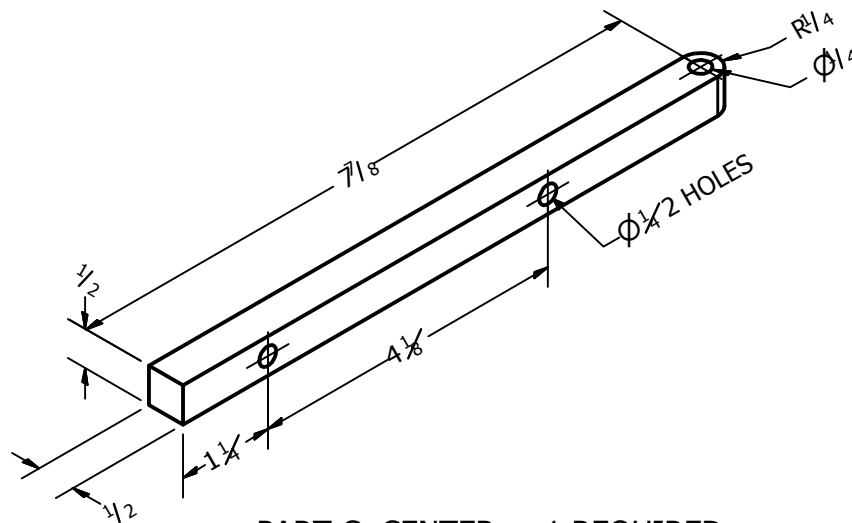
1



PART A: SIDE 2 REQUIRED
(LEFT SIDE SHOWN. RIGHT SIDE IS MIRROR IMAGE)



PART B: STRIPE 1 REQUIRED



PART C: CENTER 1 REQUIRED

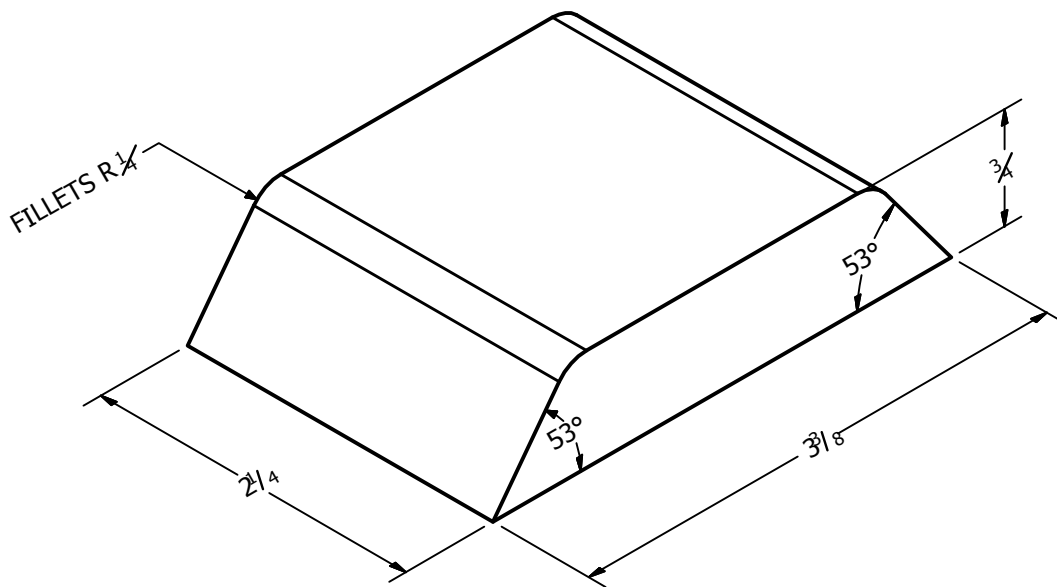
PROJECT:		GARTH WEBB S.S.	
TITLE:		TOY CAR	
SCALE:	DRAWN BY:		
1/2	P. WHITE		
DATE:	DWG NO	2 OF 5	
20130327			

2

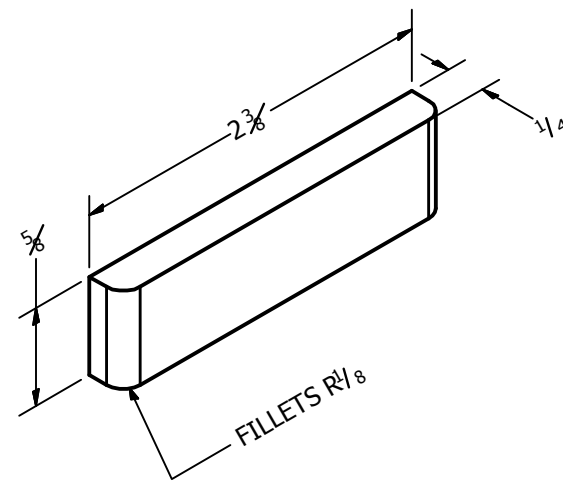
1

2

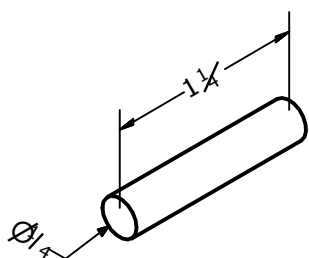
1



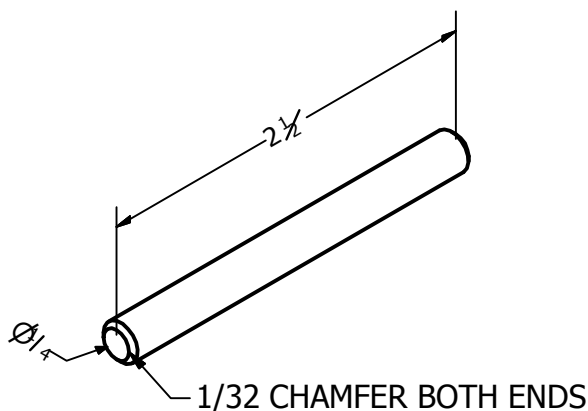
PART D: TOP 1 REQUIRED



PART E: BUMPER 1 REQUIRED



PART F: HITCH 1 REQUIRED



PART G: AXLE 2 REQUIRED

GARTH WEBB S.S.		
PROJECT: TOY CAR		
TITLE: PART DETAILS		
SCALE: 1:1	DRAWN BY: P. WHITE	
DATE: 20130327	DWG NO: 3 OF 5	

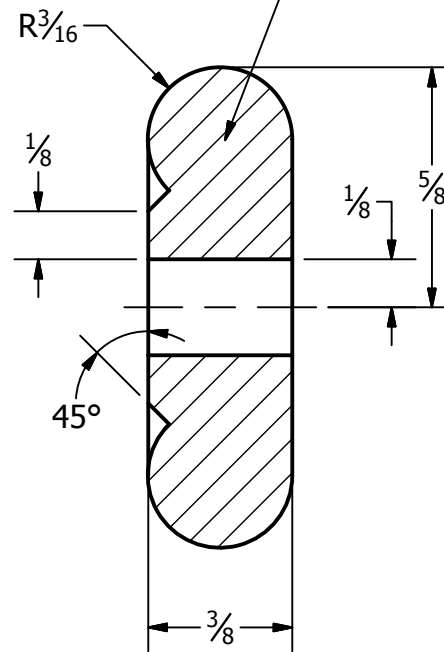
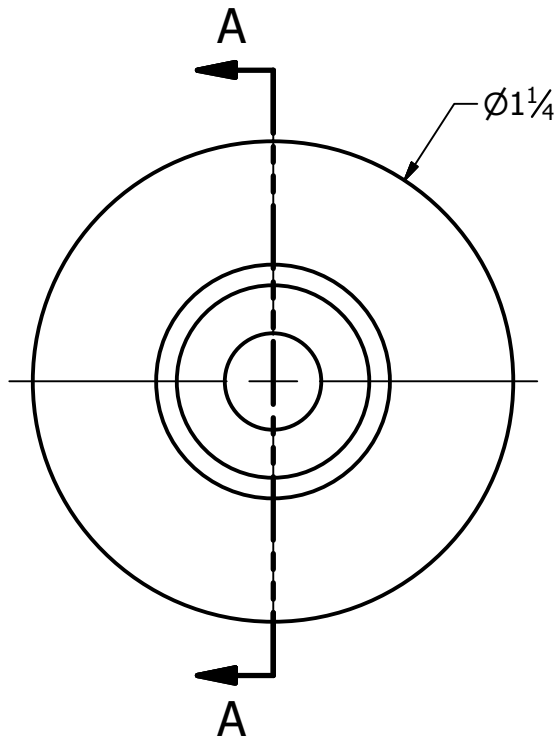
2

1


2

1

NOTE: IN YOUR SKETCH, DRAW THE SHADED AREA



SECTION A-A
SCALE 2 : 1

PROJECT:		GARTH WEBB S.S.	
TITLE:		TOY CAR	
SCALE:	DRAWN BY:		
2:1	P. WHITE		
DATE:	DWG NO	20130327	4 OF 5

2

1

2

1

Parts List

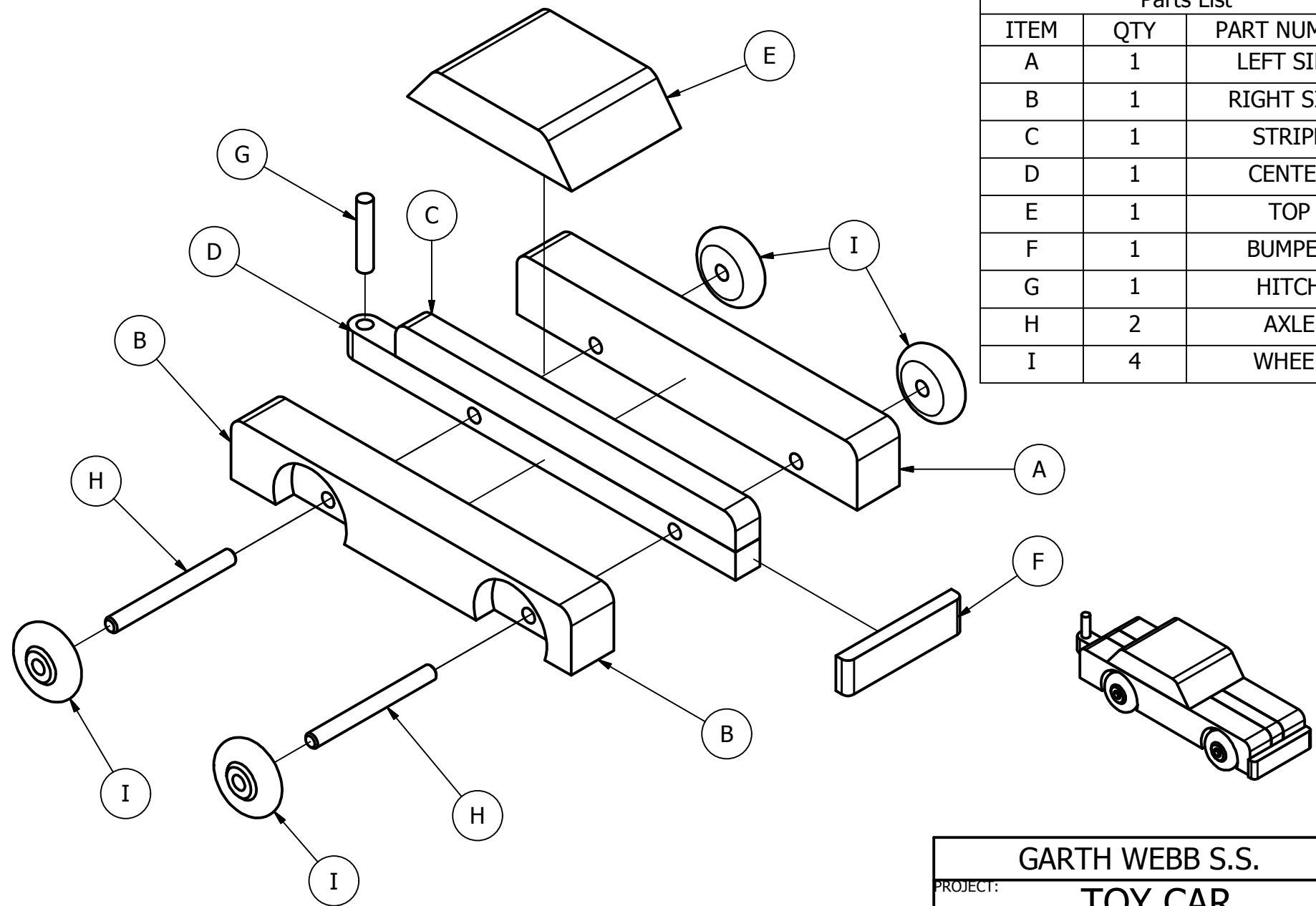
ITEM	QTY	PART NUMBER
A	1	LEFT SIDE
B	1	RIGHT SIDE
C	1	STRIPE
D	1	CENTER
E	1	TOP
F	1	BUMPER
G	1	HITCH
H	2	AXLE
I	4	WHEEL

B

B

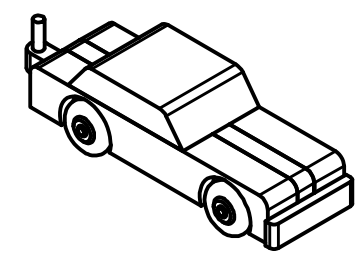
PRODUCED BY AN AUTODESK EDUCATIONAL PRODUCT

PRODUCED BY AN AUTODESK EDUCATIONAL PRODUCT



A

A



2

1

GARTH WEBB S.S.	
PROJECT:	TOY CAR
TITLE:	EXPLODED VIEW
SCALE: 1/2	DRAWN BY: P. WHITE
DATE: 20130327	DWG NO: 5 OF 5

